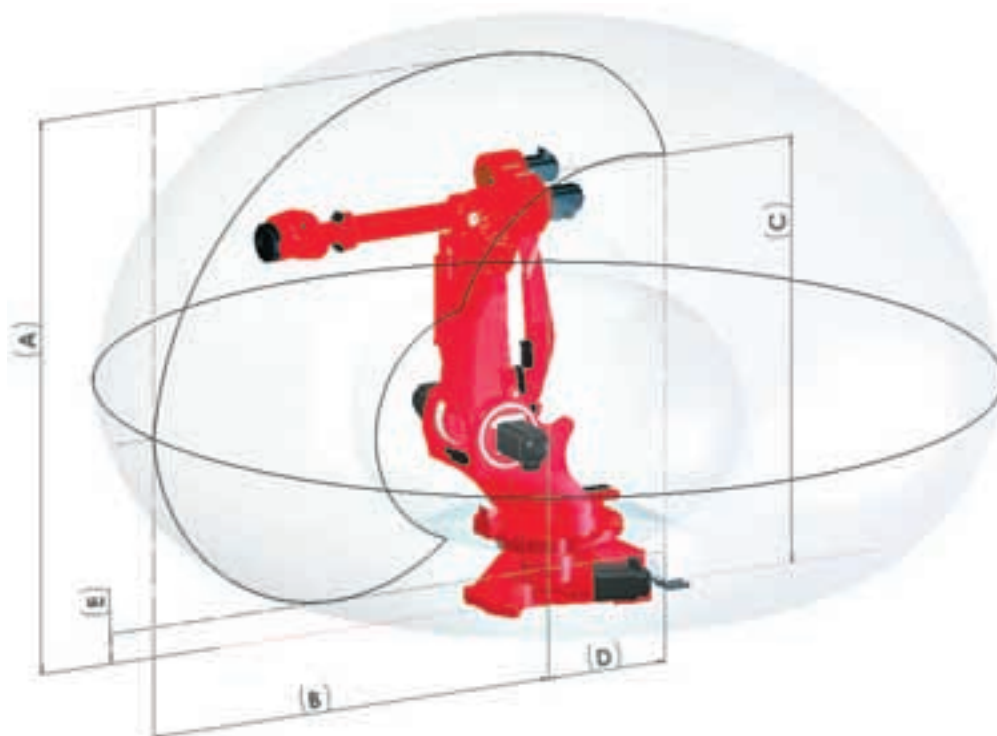




Payload up to  
**370 Kg** ■

Maximum horizontal reach  
**3.000 mm** ■

Repeatability  
**0,15 mm** ■

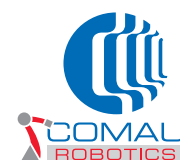


- Assembly
- Foundry
- Handling Packaging
- Machine Tending
- Measuring Testing
- Polishing Deburring
- Processing Machining
- Spot Welding
- Wood-Glass Machining

ROBOT APPLICATIONS

| Model                           | NJ 370-2.7      | NJ 290-3.0          |                     |       |
|---------------------------------|-----------------|---------------------|---------------------|-------|
| Number of axes                  | 6               | 6                   |                     |       |
| Load at wrist (Kg)              | 370             | 290                 |                     |       |
| Additional load on forearm (Kg) | 50              | 50                  |                     |       |
| Torque of axes (Nm)             | 4               | 2.109               |                     | 1.668 |
|                                 | 5               | 2.109               |                     | 1.668 |
|                                 | 6               | 1.177               |                     | 1.177 |
| Axes stroke (Speed)             | 1               | +/- 180° (90°/s)    | +/- 180° (90°/s)    |       |
|                                 | 2               | +/- 75° (90°/s)     | +/- 75° (90°/s)     |       |
|                                 | 3               | 0°-231° (90°/s)     | 0°-220° (90°/s)     |       |
|                                 | 4               | +/- 2.700° (105°/s) | +/- 2.700° (105°/s) |       |
|                                 | 5               | +/- 125° (105°/s)   | +/- 125° (105°/s)   |       |
|                                 | 6               | +/- 2.700° (160°/s) | +/- 2.700° (160°/s) |       |
| Repeatability ISO 9283 (mm)     | 0,15            | 0,15                |                     |       |
| Maximum horizontal reach (mm)   | 2.700           | 3.000               |                     |       |
| Installation position           | Floor           | Floor               |                     |       |
| Protection Class                | IP65/IP67 wrist | IP65/IP67 wrist     |                     |       |
| Operating Areas (mm)            | A               | 3.392               | 3.680               |       |
|                                 | B               | 2.703               | 2.997               |       |
|                                 | C               | 2.617               | 2.922               |       |
|                                 | D               | 804                 | 804                 |       |
|                                 | E               | 181                 | 119                 |       |
| Foundry version                 | Available       | Available           |                     |       |

Sales \* +39 011 0045406 \* sales.robotics@comau.com  
 Service \* +39 011 0045553 \* service.robotics@comau.com  
[www.comau.com/robotics](http://www.comau.com/robotics)



The information contained in this brochure is supplied for information only. Comau S.p.A. reserves the right to alter specifications at any time without notice for technical or commercial reasons. The illustration does not necessarily show the products in their standard version. Design by amodo.it - ref.tas.hx06 - Printed in Italy by Graj Art - 05/06 - Turin